



OFFICE NO. 202 ,MAYUR  
TRADE  
CENTER, OLD MUMBAI  
PUNE HIGHWAY,  
CHINCHWAD RAILWAY  
STATION CHOWK  
PUNE-411033.

**WELCOME TO CLEANSTAR**  
**MACHINES, PUNE.**

**WWW.CLEANSTARMACHINES.COM**  
**+91 8657525062 / 8275470282**

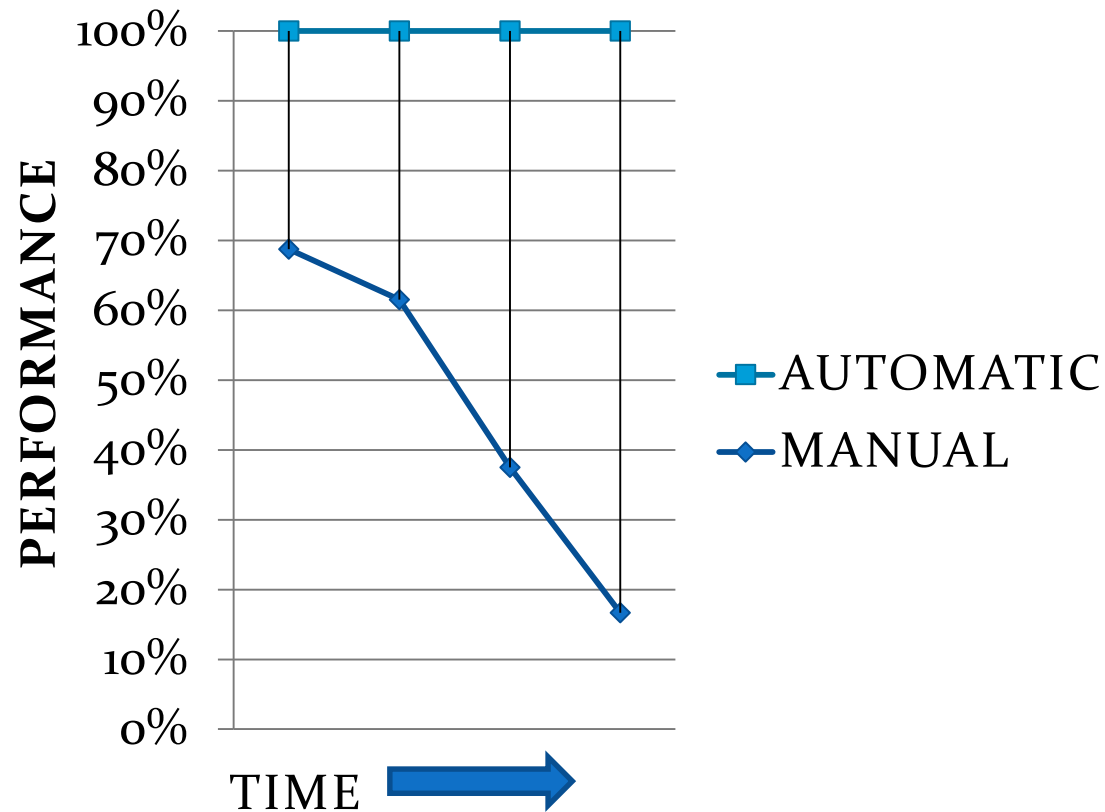
**LEADING MANUFACTURER IN COMPONENT  
CLEANING MACHINES & LEAK TEST MACHINE.**



# WHY USED CLEANING MACHINES

- Reduce man power.
- **Uniformly cleaning.**
- Critical cleaning in one machine.
- **Full proof cleaning & drying.**
- Automatic machine.
- **No skilled operator required to operate the machine.**
- Fully customized as per customer requirement.
- **Reduced time & increase a production rate.**
- Use 24 x 7 all time.

## PERFORMANCE CHART





# CABINET TYPE CLEANING MACHINE.



CABINET TYPE CLEANING MACHINE WITH FRONT LOADING & UNLOADING .

Available in--Automatic, Semi-Automatic, Manual.

Single chamber design built for automatic washing –Rinsing-  
Drying .

Single stage with rotary basket or fixed basket or Cage type.

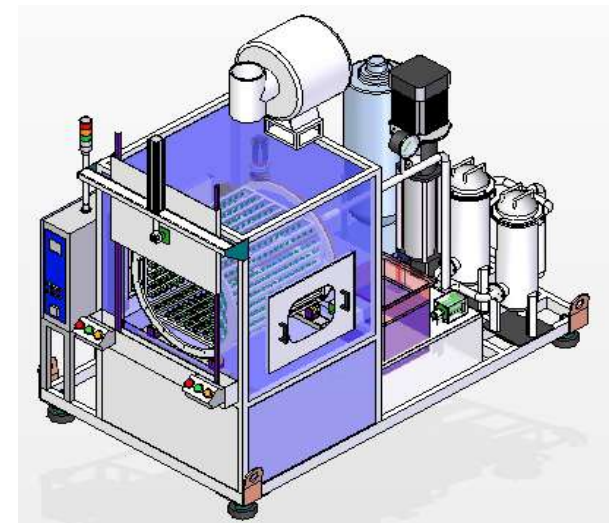
Single /twin tank with multi tier filtration system.

For easy loading & unloading the platform is provided which is attached to chamber.

**Cabinet type cleaning machine** is available in closed as well as in open system .

These washers can also be customized for surface treatments prior to painting process.

Suitable for **medium sized to large size parts, machined bodies and batch production.**





## **ROTARY BASKET TYPE CLEANING MACHINE**



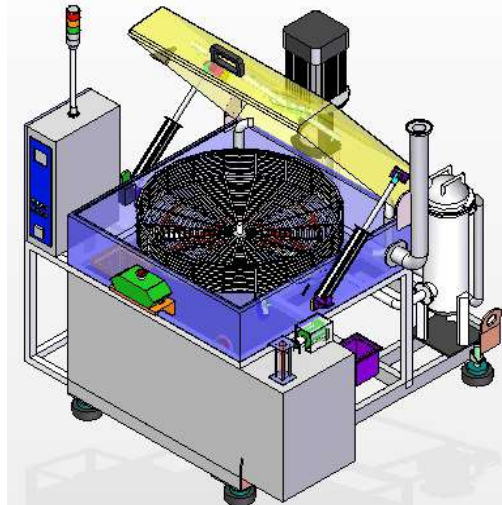
ROTARY BASKET TYPE CLEANING MACHINE WITH BASKET DIAMETER - 250 mm, 600 mm, 800 mm, 1000 mm, 1200 mm & 1300mm.

Manual front-Loading -Unloading.

These machines have been developed to provide effective, fast and economical cleaning.

Large-volume solution tank which reduces the foaming

Used for general as well as **dedicated cleaning** by changing adding fixture .



Requires limited floor space

Ideally suited to lean manufacturing cells

Washers can easily be customized by choosing from a variety of available pre-engineered options.

Suitable for Small sized to medium sized, machined bodies and **moderate production rate with low price.**



## **ROTARY BASKET TYPE CLEANING MACHINE** **DIFFERENT SIZES SPECIFICATIONS**

MODEL	R7272A	R7272B	R7272C	R7272D	R7272E	STANDARD
CLEANING AREA	φ600	φ800	φ1000	φ1150	φ1300	mm
CLEANING HEIGHT	125-250	150-275	150-350	200-300	200-325	mm
LOADING HEIGHT	850	900	900	950	950	mm
MACHINE WIDTH	1200	1500	1700	2100	2100	mm
MACHINES LENGTH	1500	1750	2350	2700	2750	mm
MACHINE HEIGHT	1500	1650	1800	1850	1850	mm
MAX. LOAD	120	160	240	275	325	Kg
TANK CAPACITY	275	300	350	375	375	Liters.
TEMP.	60-65	60-65	65-70	65-70	65-70	°C
PUMP CAPACITY	100/150	150/180	140/180	220/280	250/300	L/min
PRESSURE	12-14	12-14	12-16	14-16	14-16	Bar
HEATING	09	09	09	12	12	kW



## CONVEYORISED TYPE CLEANING MACHINE



High performance in-line conveyor cleaner for continuous cleaning.  
**Two and multi - stage process with single parts or parts in batches.**  
The working principle is based on a linear movement of parts  
**Conveyors can be designed in many ways with steel belt, chain and roller type to carry parts or baskets and with necessary parts holding fixtures**

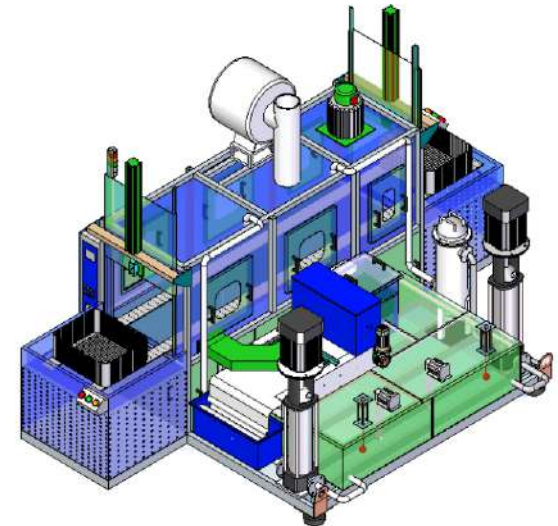
PLC based control panel with necessary safeties and interlocks

**The system can be manufactured to wash/degrease, rinse, phosphate and/or dry components**

- Suitable for manufacturing, automobile industries with high & precision cleaning & production rate.

**It is designed with easy to remove panels & access door , which provide easy access for servicing the machine**

Dedicated pneumatically operated reciprocating **pressurized spray manifolds** for precision cleaning to attain cleanliness values and to suit parts and the process requirement





## **CABINET / TAPER TYPE CLEANING MACHINE**



### **Manual Cleaning Machine.**

Single chamber design built for automatic washing –Rinsing-Drying .

Single stage with rotary basket or fixed basket or Cage type.

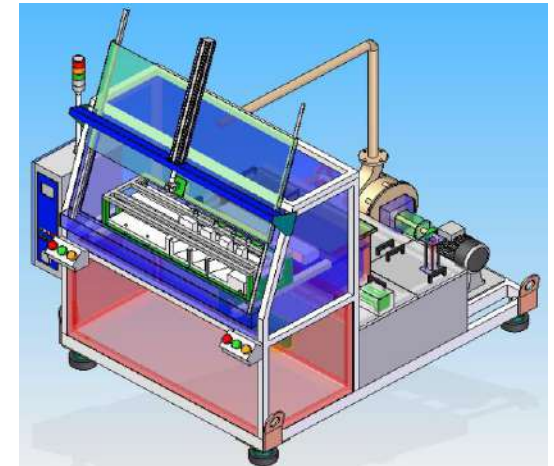
Single /twin tank with multi tier filtration system.

For easy loading & unloading the platform is provided which is attached to chamber.

**Cabinet type cleaning machine** is available in closed as well as in open system .

These washers can also be customized for surface treatments prior to painting process.

Suitable for **medium sized parts, machined bodies and Moderate production.**





## SCREW TYPE CLEANING MACHINE



This is a single, multi - stage cleaner with a drum rotating arrangement , component rotation drum /screw arrangement Hooper for easy load / unload.

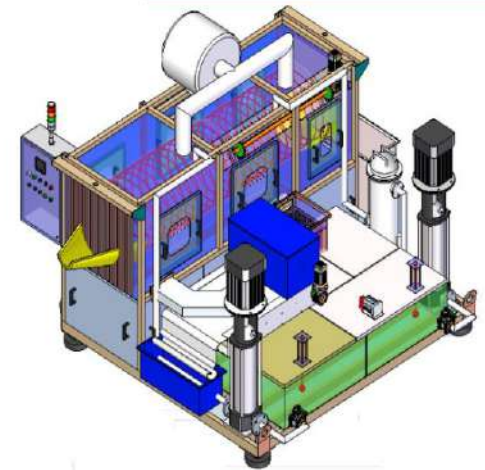
With the combination of immersion and spray in the **perforated drum**, it helps removal of contamination from parts .

### Application:-

Component have nature and shape can generally not be cleaned satisfactorily in other systems of dunking or spray washers .

Can be equipped with drying system for water dry off.

This is suitable for small parts and for higher productivity with part immersion and spray combination for effective cleaning of parts







# LEAK TEST AIR/ WATER MACHINE



In the cleaning industry, components and systems must be leak tested

**The three basic functions of leak testing are**

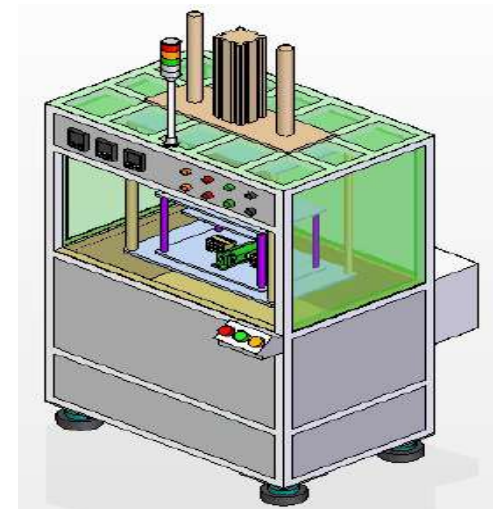
- 1) determining if there is leakage or not (detection),
- 2) measurement of leak rate and,
- 3) leakage location.

**There are many methods and types of test equipment**

The water-immersion bubble test, also called "bubble testing" or "dunking.

**Instead of submersing the part in water, the pressurized unit to be tested is sprayed with a soap .**

This method consists of pressurizing the system with a high pressure gas, usually dry air or nitrogen.





# ULTRASONIC CLEANING MACHINE



compact, simplest and most cost effective cleaning method.

The process cycle is fully automatic and timer controlled for ease in operations.

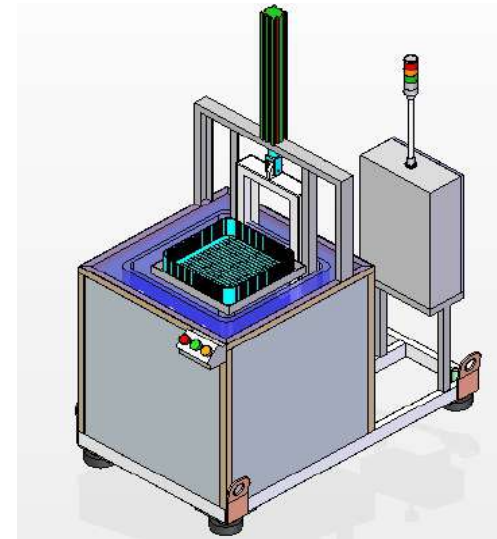
The washers are insulated for temperature controlled applications. They can be fitted with re-circulation systems, filtration systems .

These washers can be customized for multi-stage usage, with ultrasonic energy combined, mechanical agitation for effectiveness.

Suitable for pre - cleaning of complex shape components, surface treatments like de-greasing, de-rusting, phosphate, passivation, rinsing, rust preventive. application and more. A variety of configuration meets all customers requirement.

Lower investment costs through standardization.

Adjustment of investment costs to the shortened product lifecycles





## OIL SKIMMER IN FILTRATION SYSTEM.

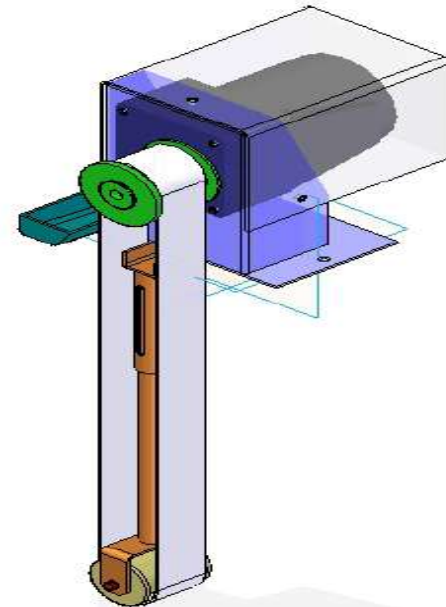


A device which helps remove surface oil.

An oil is absorbed by the Teflon tape available in 40 mm, 50mm & 100mm belt width

They are available in disc type and belt type to suit the application.

The cheapest and most effective method to remove surface oil.



Reduce the machine fluid refilling cost.

Improves the disposal water quality.

Lower cost as compare to other filtration system.



## **PAPER BAND FILTER ADVANCE FILTRATION SYSTEM**



### **PRINCIPLES OF OPERATION:**

The coolant enters the filter via a flow dispenser and falls directly onto the filter media bed, which is retained in a pool state by an endless steel mesh belt. The coolant passes through the media which **retains the solids and flows directly into the clean tank where it can be pumped back to the machine**

The paper band filter is a combination of a wire supported mesh with straight rod conveying.

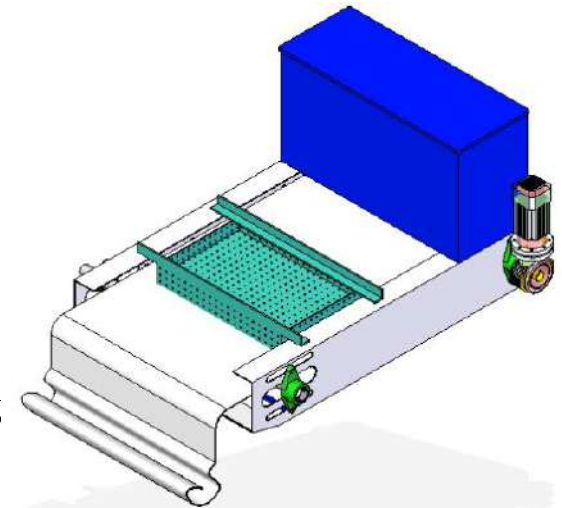
**Flow rates from 40 to 850 liters/min..**

For the separation of particles from all types of liquids.

**Low Running Costs** The power required is minimal, as the filter only operates when the filter medium is contaminated, so only operates a few times a day.

### **APPLICATION:**

Machines such as grinding machines, washing machines, lathes, rotary and inline transfer machines, honing machines, tube drawing machines, process waters and all types of Solids liquid separation.





## OIL COALESCER IN FILTRATION SYSTEM.



Oil has lesser density as compared to water.

if the fluid is in agitated form then tramp oil cannot get sufficient time to float on surface and hence specific systems are necessary.

The fluid from which oil is to be separated is passed at a very slow velocity through the layers of this material. The velocity reduction is achieved by diverting fluid through no. of partitions.

### **Silent feature :-**

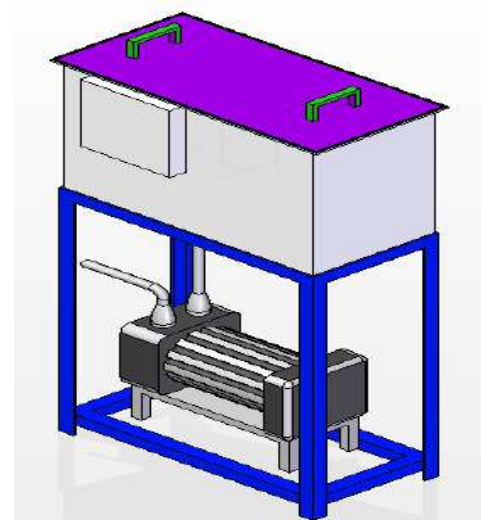
The unit are compact & trolley mount hence offer high mobility.

Remove oil in offline mode.

System uses no filter , no additional special parts, hence no Replacement or recurring cost .

### **Application**

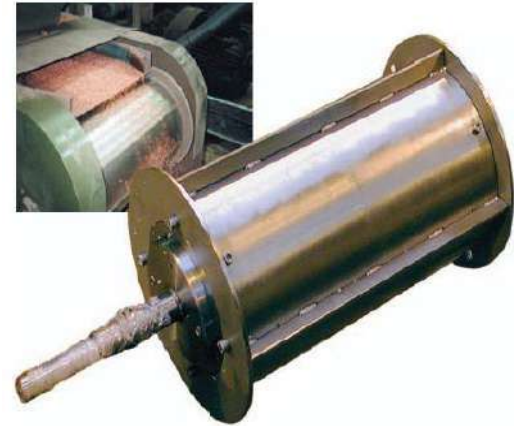
Component washing machine., Machine tool coolant tank , Effluent treatment plant , Waste water treatment plant .





# OTHER FILTRATION SYSTEM.

MAGNETIC SEPERATOR



COMPACT BAND FILTER.



# OTHER FILTRATION SYSTEM.

SIMPLEX / DUPLEX FILTER





# WHY US?

- The quality delivered by us in our products is of very superior quality (WITH CUSTOMER APPROVAL)
- Highly innovative product range.
- We offer our products at the best competitive prices
- Our commitment of delivering products within the stipulated time frame ( WITHIN 23 WEEK)
- Strong tie-ups with C&F agents ensures wide availability
- Experienced R&D department, with latest facilities
- Solvent free, use of water based detergents in the washers.
- Custom built solutions for effective and precise cleanliness of parts. (WITH CUSTOMER APPROVAL)
- Consistent performance, best quality components for quality deliverables Stainless steel construction provides a lifetime of reliable performance. ( WITH WIDE WARRANTY PERIOD)
- Multi-tier filtration with proven applications meeting residual gravimetric tests.
- **ALL THE COMMITMENTS & SCOPE OF SUPPLY WILL BE IN WRITEN FORM . ( IN QUOTATION**





## **OFFICE**

Office no.202/203 phase I  
Mayur trade center ,  
Chinchwad Railway station chowk,  
old- Mumbai-Pune highway PUNE-411033  
STATE-MAHARASHTRA.  
INDIA.

## **TELEPHONES**

**+91 8657525062/ +91 8275470282**

## **WEBSITE**

[www.cleanstarmachines.com](http://www.cleanstarmachines.com)

## **Email-**

[amol@cleanstarmachines.com](mailto:amol@cleanstarmachines.com)



**THANK YOU**